

**BODY INTERACT™**  
CLINICAL REASONING EDUCATION

# ACCELERATE CRITICAL THINKING & CLINICAL DECISION-MAKING

[www.bodyinteract.com](http://www.bodyinteract.com) • [info@bodyinteract.com](mailto:info@bodyinteract.com)



**FROM STUDENTS TO SPECIALISTS**  
Performance-driven education

# GIVE STUDENTS NEW WAYS TO ENGAGE, PARTICIPATE AND EXPRESS THEMSELVES



**Body Interact™ is an interactive digital simulator for problem-solving and clinical reasoning using virtual patients**

competency-based curricula  
inter-professional and team-based education  
game-based learning

# BODY INTERACT™ IS TRUSTED BY EDUCATORS WORLDWIDE BECAUSE:

## it is immersive

The training of a healthcare provider cannot be reduced to a sequence of identical activities for all students, as health care requires not only the acquisition of knowledge, skills and attitudes, but also the development of the ability to reflect.

## it is user-friendly

With intuitive features and everything on one platform, all activity is generated in real time and directly adapts to user interaction.

## it offers game-based learning

A dynamic simulation environment offers you active learning-by-doing, which is both fun and memorable, as opposed to passive learning.

## it works on a plug-and-play basis

You will no longer need to spend a lot of time and human resources on preparing and running simulation sessions. Body Interact™ is available 24/7 on your computer or iPad, or on a special classroom display.

## it offers a large range of premium scenarios

It comes with an extensive set of pre-configured premium scenarios addressing basic, intermediate or advanced clinical skills development for your students.

## it has tracking and performance management tools

Body Interact™ is designed to be easily managed by teachers. You can decide which scenarios are available at any given time. It provides complete case-by-case performance debriefings and visual dashboards that reflect the performance metrics of each student or class.

## High quality review and validation

Body Interact™ works with and obtains validation from leading medical educators and global institutions such as the **American College of Cardiology**, the **American Heart Association** and the **American Stroke Association**.



AMERICAN  
COLLEGE of  
CARDIOLOGY



American  
Heart  
Association

American  
Stroke  
Association®



# VIBRANT, INTERACTIVE AND REAL-TIME TECHNOLOGY

Based on 3D virtual interactive patients supported by **realistic physiological algorithms**, the technology mimics the visual-spatial and real-time characteristics of the patient health condition, provides realistic feedback, and is able to compile and assess the performance.

- Interactive life-like patient-based experience
- Realistic physiological algorithm
- Real-time monitoring and examinations
- Realistic feedback according guidelines
- Immediate performance assessment

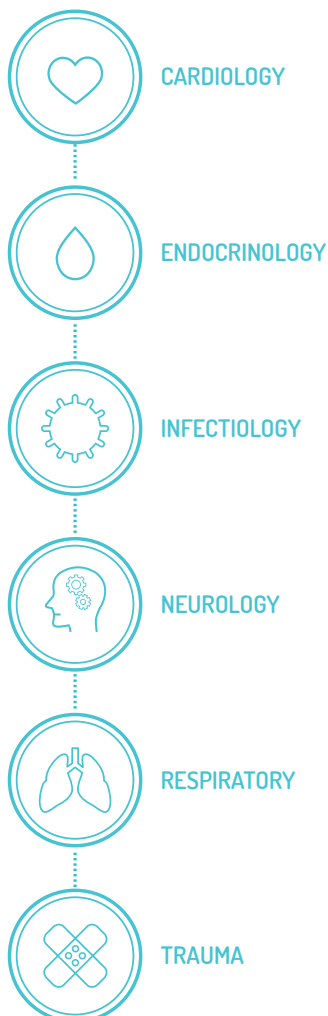
This understanding of deeper, more abstract principles prepares doctors, nurses and paramedics to perform consistently and effectively, even in new and unexpected situations.



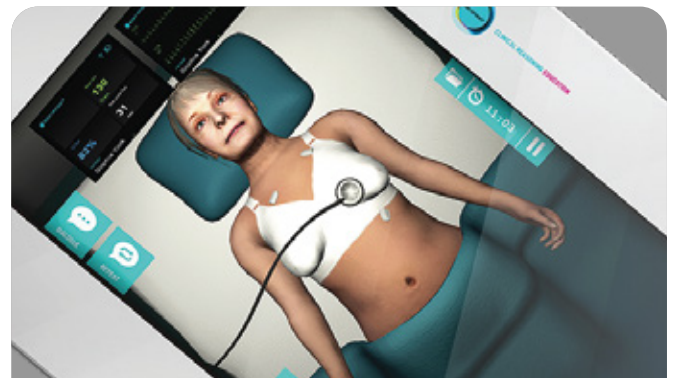
# AN EXTENSIVE LIBRARY OF PREMIUM CLINICAL SCENARIOS

Body Interact™'s validated scenarios challenge the trainee's clinical and critical thinking skills, providing the best possible preparation for providing care without any risk to real patients.

Our premium scenarios rely on clinical evidence and well-established guidelines. They are designed and regularly updated to address basic, intermediate and advanced clinical skills goals in the Medicine, Nursing and Emergency curricula.



## PREHOSPITAL CARE



## EMERGENCY ROOM



## CHRONIC CARE

## OUR APPROACH COMBINES:

- Establishing differential diagnosis gestures and attitudes
- Interviewing the patient
- Applying the ABCDE method
- Interpreting complementary diagnostic tests in order to identify a clinical condition
- Knowing how to establish a treatment strategy
- Selecting treatments according to the clinical risk
- Establishing prognostic guidance levels
- Follow-up actions: Review, Re-evaluate, Remit and Register

In this dynamic environment, you can learn not only the facts but also the important, underlying “how’s and “why’s” based on the patient’s interactions, while tracking their analytics and behaviors through each simulation.

### Multi-languages

Body Interact™ is available in English, Spanish, Chinese, French, Portuguese, German and Italian.

It is also configured to specific settings (metrics, treatment) available in specific regions.

### Authoring tools

Body Interact™ provides educators with user-friendly authoring tools to build customized scenarios.

### Tracking tools

Body Interact™ is designed to be easily managed by teachers. It provides complete case-by-case performance debriefings and visual dashboards that reflect the performance metrics of each student or class.

Some cases have a basic or intermediate difficulty level, while others are extremely complex to be executed under time pressure with a rapidly changing information load.

## AVAILABLE LANGUAGES



# TOTALLY DIGITAL, TOTALLY FLEXIBLE

Body Interact™ is a flexible and scalable technology that can be uniquely configured as a big tabletop touchscreen or a native iPad app or via a web browser.



## BODY INTERACT™ EDUCATION PORTAL

With the Body Interact™ Web or iPad version, take a class wherever and whenever you want; all you need is an Internet connection.

The teacher gets a special license that includes access to tracking and performance management tools and can decide which scenarios are available to students at any given time.

It provides complete case-by-case performance debriefings and visual dashboards that reflect the performance metrics of each student or class.

Each student gets an individual access to the platform and selected cases by teacher.



## SOFTWARE FEATURES

- A realistic experience with a life-like virtual patient, from diagnosis to treatment:
- Diverse and **multicultural virtual patients**
- **Visual signs and symptoms** like pain, consciousness, cyanosis, chest movements
- **Dynamic dialogues** with the patient
- A **complete physiological algorithm** for drugs, interventions and multiple health conditions
- **Real-time vital parameters** monitoring: blood pressure, heart rate, respiratory rate, SpO2
- **Physical examination:** lungs and heart auscultation, palpation, temperature, pupil reflex
- **Lab Tests:** arterial blood gas, biochemistry, blood cultures, blood glucose, cardiac markers, coagulation tests, complete blood count, lipid profile, urinalysis, urinary antigens
- **Electrophysiology:** ECG
- **Imaging:** Angio CT, AP pelvis radiography, abdominal CT scan, abdominal radiography, abdominal ultrasound, Carotid echo-doppler, Chest CT scan, Chest radiography, Colonoscopy, Coronary angiography, Head CT, lateral cervical spine radiography, lower ext ultrasound, Pelvic CT scan, transesophageal echo, transthoracic echo, upper GI endoscopy
- **Decision Aids:** Glasgow coma scale, Stroke scale (NIHSS)
- **Interventions:** catheters, defibrillation, chest compressions, oxygen, transfusions
- **Drugs:** a complete set of drugs and fluids to be selected by category, administration mode and doses, such as: analgesics, anti-inflammatories, antiarrhythmics, antibiotics, antiplatelets, antipyretics, bronchodilators, coagulation, diuretics, fibrinolysis, fluids & ions, gastrointestinal, hormones, relaxants & sedatives, vasoactive agents, vasodilators
- **Performance debriefing tools:** action log, performance level according guidelines

All the drugs, diagnostics and treatment names are consistent with terminology commonly used in the US and EU markets



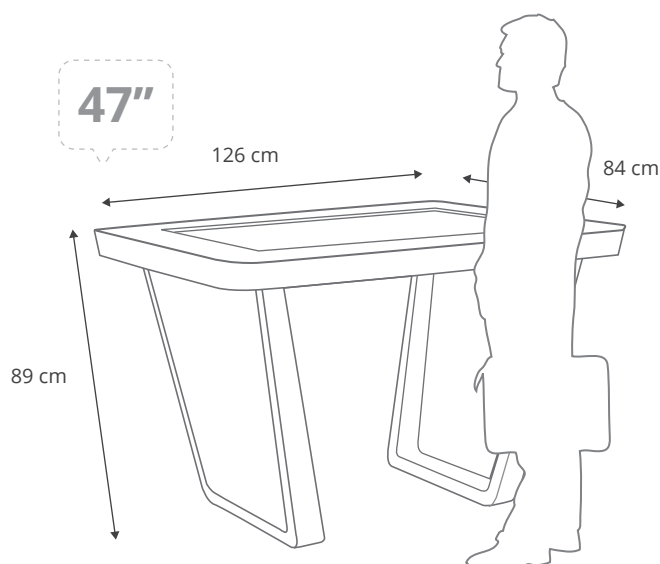


# HARDWARE SPECIFICATIONS

The table is a multi-touch screen for interactive learning and teaching, providing a live size patient.



## TECHNICAL SPECIFICATIONS MULTI-TOUCH TABLETOP



### Main Features

Display	47" LED - Horizontal HD display
User Input	10 touches
Touch Technology	Infra-red based detection system
Display Technology	Horizontal HD display
Power Requirement	100 - 240v AC
Connectivity	4 x USB-A, 3.5mm mic, DVI, Ethernet, WiFi
Screen Surface	Toughened Safety Glass
Certifications	CE, FCC, ANREEE
Integrated Sound	2x 10W speakers

### Technical Specifications

Resolution	1920x1080 px
Screen Formats	16:9
Overall Dimensions	89cm H x 126cm W x 84cm D
Mobility	Optional 2 rubber whells

### Software

Computer	Asus ROG i5, 8gb, 128Gb SSD, GTX 960M
Operating System	Microsoft Windows 8.1
MULTITOUCH SOFTWARE	Multitouch Professional Software



USB



Sound



Technology



Bluetooth

Ethernet  
+  
WiFi

# A SHARED COMMITMENT TO EXCELLENCE IN HEALTHCARE EDUCATION

Founded in 2008, our Company has always been 100% focused on providing innovative digital health solutions. With a great talented team and thanks to those who guided and supported us at the beginning, we have consistently combined science, design and technology to deliver cutting-edge solutions for medical training, patient empowerment and improved care delivery.



We have experience with a wide range of complex, large-scale solution deployments and our Customer-driven development ensures efficient solutions that make a difference in our users' daily work.

Our company has won the support of the EU Innovate funding programme and has also been awarded prestigious prizes like the EMF 2012 European Seal of e-Excellence (first prize) or the 2016 Best Product Award (runner-up) at the 6th Annual Serious Games and Virtual Environments Arcade and Showcase, during the International Meeting on Simulation in Healthcare (IMSH). Our quality management system is also ISO 9001 certified.

Body Interact™ is used globally. Headquartered in Coimbra, Portugal, we have an additional office in Austin, Texas, US to better serve our customers abroad and to build a network of partners of worldwide reputation such as the American College of Cardiology (USA), the American Heart Association (USA), the American Stroke Association (USA), George Brown College (Canada), the Mayo Clinic (USA), the Universidad Católica de Murcia (Spain), the University of Copenhagen (Denmark), the University of Wien (Austria), the Universidade de Coimbra (Portugal), the Universidade do Minho (Portugal) and the University of Texas (USA).

We also form partnerships with only the most respectable and trusted international distributors. In the case of sales to countries where we have not found a representative that meets our high-quality standards, we handle all the arrangements ourselves, providing training and arranging shipping.

Body Interact™ is a registered trademark of Take The Wind company

AN EFFECTIVE  
SIMULATION LAB IN  
YOUR HAND

## EUROPE

### Coimbra, Portugal

Instituto Pedro Nunes, TecBis  
Rua Pedro Nunes, Edifício D  
3030-199 Coimbra  
Portugal

#### Phone

+351 239 090 850

## UNITED STATES OF AMERICA

### Austin, Texas

IC2 Institute,  
The University of Texas  
2815 San Gabriel St. Austin,  
Texas 78705, USA

#### Phone

+1 512-910-8350

#### Email

info@bodyinteract.com

[www.bodyinteract.com](http://www.bodyinteract.com)

CONTACT  
US